



The MAG 7 Pipers and the Palisades Park Fire Department Band In Concert at West Point. The groups will perform in concert in Bogota on October 21 at 4 p.m. at St. Joseph's R.C. Church. Featuring world famous piper Jim Motherwell, formerly the Queens Piper.

Concert Set For October

On October 21 the combined sounds of MAG7 pipe and drum band and the Palisades Park Fire Department band will entertain Bogota residents at 4 p.m. at St. Joseph's R.C. Church. The featured soloist will be the world famous piper Jim Motherwell, the former piper to the Queen of England.

Jim Motherwell enlisted in The Argyll and Sutherland Highlanders in 1980 and rose to the rank of Pipe Major, participating in numerous world regimental tours. Trained as well as a soldier, he has completed section commander and arctic warfare courses during his military service.

In 1991, Motherwell was performed a special tune to mark the Gulf War for President Bush.

In 1998, Queen Elizabeth II selected Jim to become The Sovereign's Piper, an honor and distinction that been held by only 9 other men, a tradition that dates back to Queen Victoria. During his tenure, Motherwell resided at Buckingham Palace, playing for The Queen every morning at 9 am while escorting the queen from her private apartments to her public engagements.

The MAG 7 Pipe Band brings a fresh approach to the traditional sounds of Pipes and Drums. Comprised of an award winning group of diverse musicians.

The Band's name is derived from their signature num-

ber, "Theme from The Magnificent Seven." Tonight's combined performance of MAG 7 and the Palisades Park Fire Department Band is a musical collaboration that is completely unique to our area and rarely seen outside of the United Kingdom. We hope that you will enjoy the thrilling sounds of Pipes, Drums and Brass, provided by the Palisades Park Fire Department Band, united on one stage in musical harmony.

The Palisades Park Fire Department Band was founded in 1950 – consisting of only firemen. Today the band is well into a third generation and has become an all-around family organization.

The 2007 calendar has more than two dozen performances which include special events, concerts, and parades. The band performs annually for the birthday celebration of the Statue of Liberty. The membership consists of a of 80. The band performs annually at the NJ State Fair as well as numerous local summer concert programs.

Concert
 October 21 at 4 p.m.
 St. Joseph's Church
 Hear the Queens own bagpiper
 accompanied by the
 Mag 7 Pipe Band
 and the
 Palisades Park
 Fire Department Band
 Play exclusively for
 Bogota Residents

Emergency Services Building Dedication

On October 6, 2007 at 11:30 AM the Borough of Bogota will be renaming the emergency services building on Main Street.

It will be called the Kennedy Emergency Services Building in honor of the Kennedy family who were instrumental in creating the ambulance service in Bogota in 1947.

The squad is celebrating 60 years of service to the community this year. George Kennedy, one of its founders, is still an active member.

We hope the all our residents will all come out and join us to celebrate this event

Senior Citizen Activities	10:00 a.m.-11:00 a.m. Line Dancing	2:00 p.m.-4:00 p.m. Arts & Crafts	2nd & 3rd : 7:00 p.m.-9:00 p.m. Sewing	Tuesdays: 1st & 3rd: Noon Meeting	2nd & 4th: 10:00 a.m.-11:00 a.m. Aerobics	11:00 a.m.-1:00 p.m. Sewing	1:00 p.m.-3:00 p.m. Bingo	Wednesday: 1:00 p.m.-3:00 p.m. Ceramics	6:30 p.m.-7:30 p.m. Aerobics	7:30 p.m.-10:00 p.m. Fun Night	Fridays: 7:00 p.m.-8:00 p.m. Aerobics
---------------------------	------------------------------------	-----------------------------------	--	-----------------------------------	---	-----------------------------	---------------------------	---	------------------------------	--------------------------------	---------------------------------------

Did You Know?
 The "self dumping hay rake" was pulled all over the fields and collected the cut and dried hay into piles. These were later piled into haystacks. These had very specific shapes to shed rain and keep the hay from rotting.

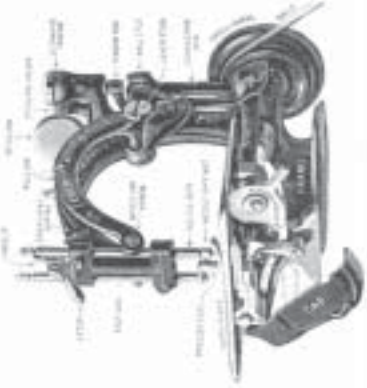
October, 2007

Sun	Mon	Tues	Wed	Thurs	Fri	Sat
7	1	2	3	4	5	6
8	15	16	17	18	19	20
14	22	23	24	25	26	27
21	29	30	31			
28						

Sun	Mon	Tues	Wed	Thurs	Fri	Sat
7	1	2	3	4	5	6
8	15	16	17	18	19	20
14	22	23	24	25	26	27
21	29	30	31			
28						

Questions about garbage pickup?
 Please call Roselle Brothers
 973-227-7020

Sewing Bogota's Clothing 1850-1930



**Willcox & Gibbs
Sewing Machine
1857**

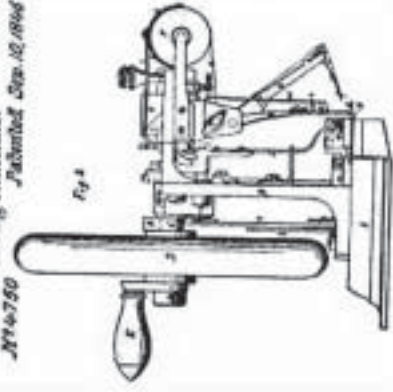


**ca 1800's hand crank
sewing machine**



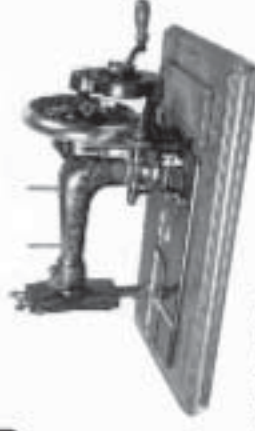
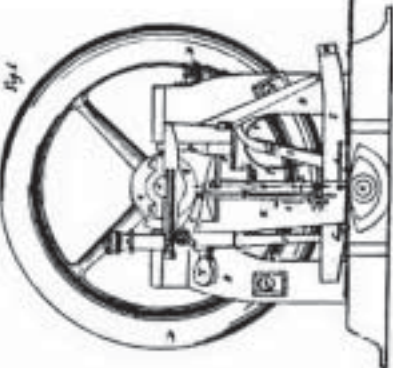
**Singer
Model 20 made
from about 1920
through 1950's
this one about
1940**

*E. Howe Jr.
Sewing Machine
Patented Sep. 12, 1844*



Elias Howe's original patent drawings

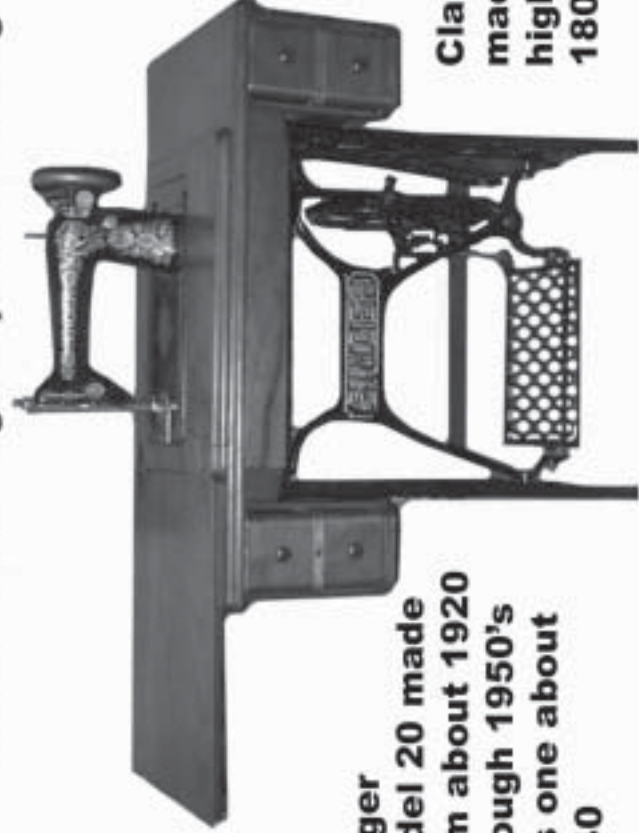
*E. Howe Jr.
Sewing Machine
Patented Sep. 18, 1844*



**1865 Singer
"New Family" with
hand crank**



**WW2 tents being sewn
for US soldiers, some
users must have come
from Bogota**



**Classic treadle sewing
machine by Singer very
high production from late
1800's to early-mid 1900's**

When Bogota was first being organized, farming was a major way of life. These horse drawn machines could have been on any farm in the area. Perhaps on the property where you live.

Did You Know?

The disk harrow was used within a few days of plowing. The land that was plowed was very lumpy and completely unsuited to plant in. The harrows were dragged across the fields and broke up the lumps so the soil was nice, soft, and without lumps.

Senior Citizen
Activities
Mondays:
10:00 a.m.-11:00
a.m. Line Danc-
ing
2:00 p.m.-4:00
p.m. Arts &
Crafts
2nd & 3rd :
7:00 p.m.-9:00
p.m. Sewing
Tuesdays:
1st & 3rd:
Noon Meeting
2nd & 4th:
10:00 a.m.-11:00
a.m. Aerobics
11:00 a.m.-1:00
p.m. Sewing
1:00 p.m.-3:00
p.m. Bingo
Wednesdays:
1:00 p.m.-3:00
p.m. Ceramics
6:30 p.m.-7:30
p.m. Aerobics
7:30 p.m.-10:00
p.m. Fun Night
Fridays:
7:00 p.m.-8:00
p.m. Aerobics

November, 2007

Sun	Mon	Tues	Wed	Thurs	Fri	Sat
4	5	6	7	8	9	10
	Garbage & Trash Pickup	Garbage & Trash Pickup	Garbage & Trash Pickup	Comingled Bottle & Can Pickup	Garbage & Trash Pickup	Garbage & Trash Pickup
11	12	13	14	15	16	17
	Garbage & Trash Pickup DPW Closed holiday	Garbage & Trash Pickup	Garbage & Trash Pickup	Cardboard & Newspaper Pickup	Garbage & Trash Pickup Paper pickup for seniors	Garbage & Trash Pickup
18	19	20	21	22	23	24
	Garbage & Trash Pickup	Garbage & Trash Pickup	Garbage & Trash Pickup	Comingled Bottle & Can Pickup	Holiday No Garbage & Trash Pickup Next pickup Monday DPW closed	Garbage & Trash Pickup
25	26	27	28	29	30	31
	Garbage & Trash pickup	Garbage & Trash Pickup	Garbage & Trash Pickup	Cardboard & Newspaper Pickup	Garbage & Trash Pickup	Garbage & Trash Pickup
						Recycling Center Closed
						Open 9-3 p.m.

Questions about garbage pickup?
Please call Roselle Brothers
973-227-7020